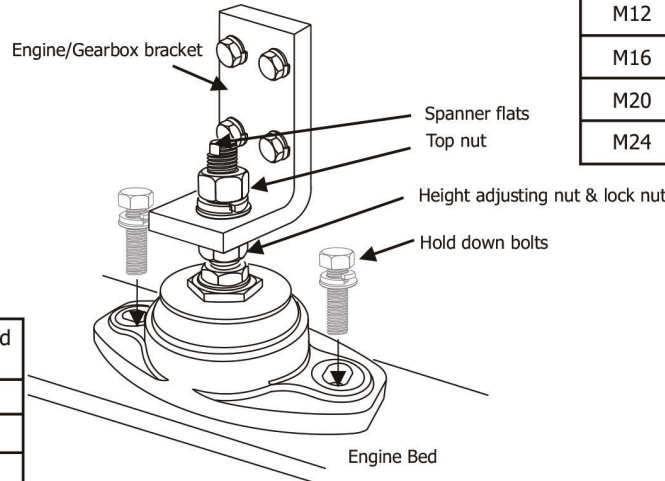


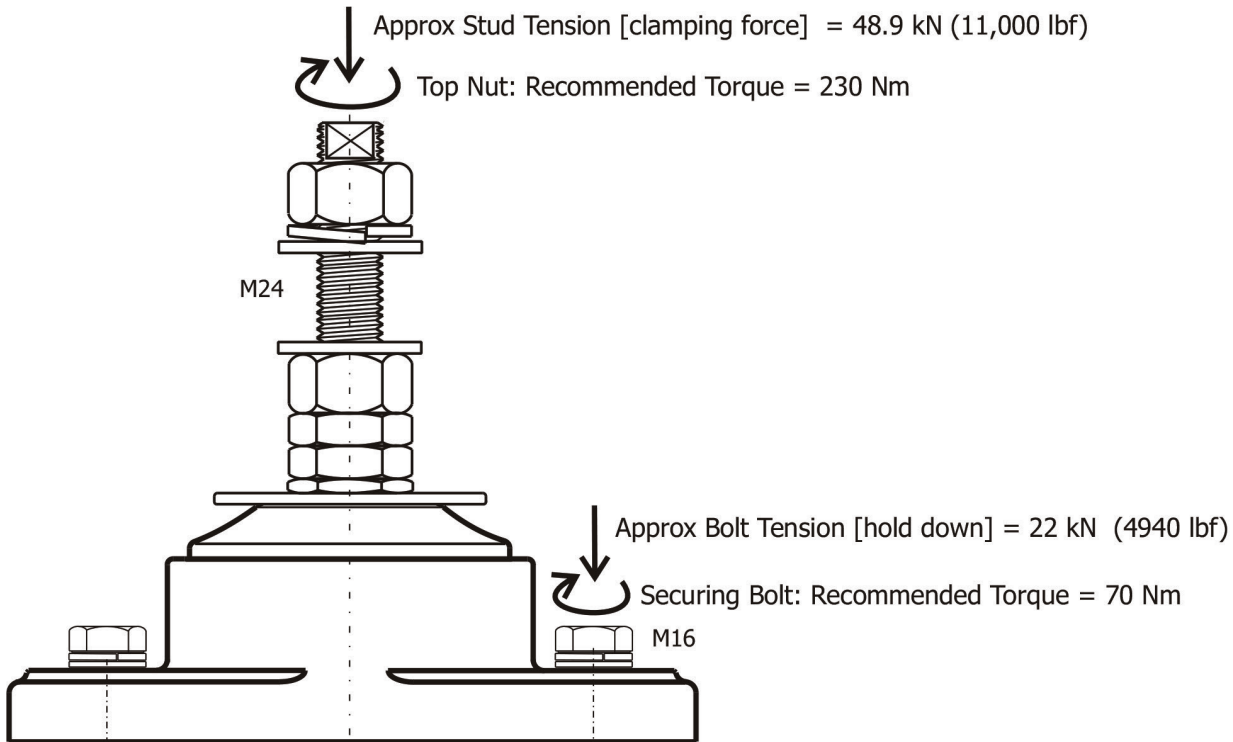
IsoFlex Engine Mount installation - 'S type' (adjusting stud)

Stud & Securing Bolts: Recommended torques/approx clamping forces

Top Nut size	Recommended torque	
	N-m	ft-lbs
M12	30	22
M16	70	52
M20	135	100
M24	230	170



Hold down bolt size	Recommended torque	
	N-m	ft-lbs
M8 (5/16")	8	6
M10 (3/8")	15	11
M12 (1/2")	30	22
M16 (5/8")	70	52



Mount Model: M125-24S