

IsoFlex™ Mount Packing Plate

NEW! Easy to install spacing plate for marine engine mounts

Designed to lift the mount to the correct height for the engine bracket

Ensures the engine bracket sits as low as possible on the mount's adjuster stud

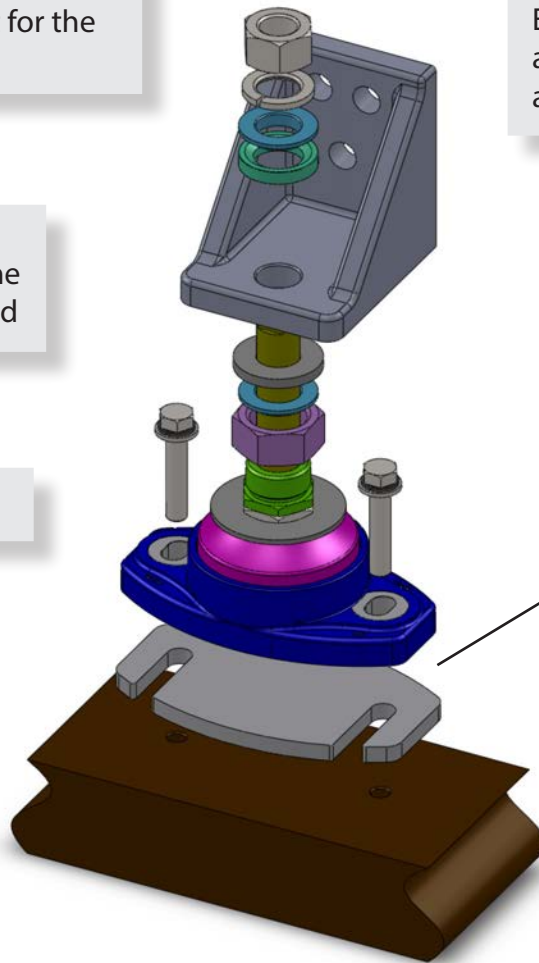
Used with the Isoflex swivel adjuster system, eliminate the need for chocking compound

Cut from marine grade alloy

Easy to install from the side

Isoflex Packing Plate

Available in two thicknesses:
1/4" (approx. 6mm)
3/8" (approx. 10mm)



Packing plate to fit Isoflex Mounts	Bolt Center Measurements	Part Numbers	
		1/4"	3/8"
M75, M90, IFX-95	5"/ 125mm center	PP95-6	PP95-10
M85, M100	5 1/2"/140mm center	PP100-6	PP100-10
M130, M110, M125, M127	6.7"/ 170mm center & 7 1/4" / 180mm center	PP130-6	PP130-10



Isoflex Technologies International, LLC
3434 SW 15th Street, Suite B Deerfield Beach, FL 33442
Tel: (561) 210-5170 E-mail: info@isoflextech.com

isoflextech.com