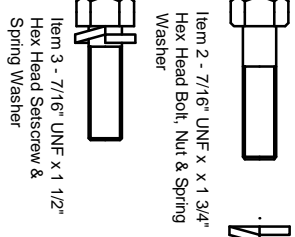
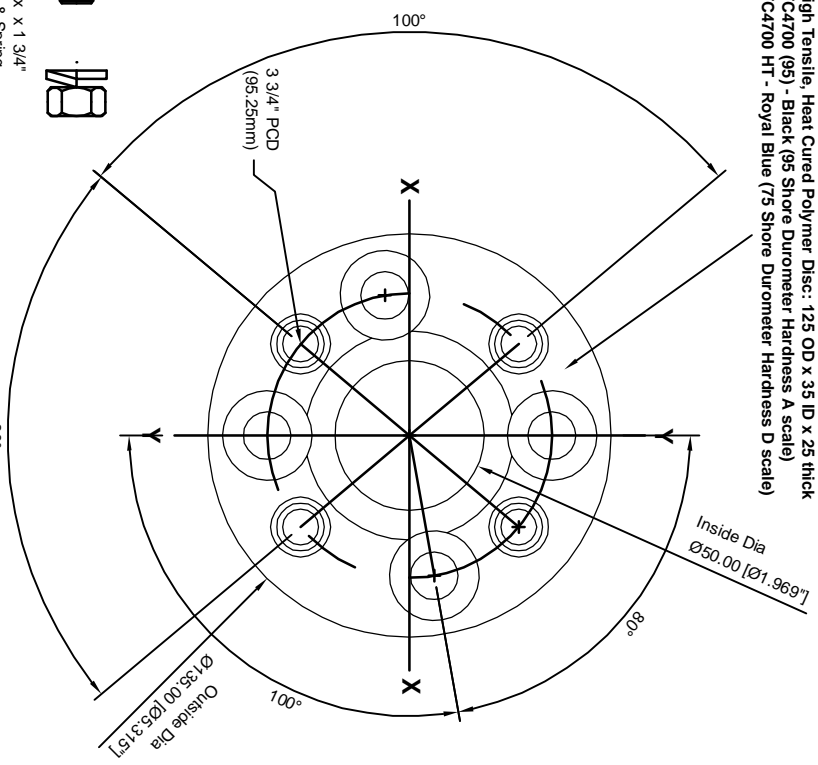


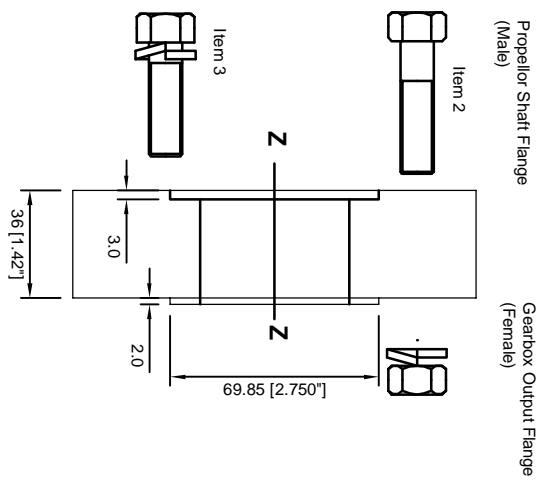
Item 1:
 High Tensile, Heat Cured Polymer Disc: 125 OD x 35 ID x 25 thick
 IFC4700 (95) - Black (95 Shore Durometer Hardness A scale)
 IFC4700 HT - Royal Blue (75 Shore Durometer Hardness D scale)



All Chamfers are .5 x .5 unless stated.

IFC4700 General Arrangement

(Suits Spicer Flange 1410)



IFC 4700 (95) coupling rating* Pressure work Nm 1875
 Intermediate Nm 900
 Continuous Nm 600

Moment of Inertia, I (cm ⁴)=	0.00336
Polar Mass Moment of Inertia, J (Nm ²)=	0.00336
Max. Torsional Stress (N/mm ²)=	15745

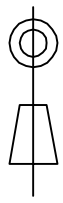
7/16 UNF Fine Bolt - AS 2468 Grade 5
 Bolt Pattern Design Torque = 6.869 Nm
 Bolt Pattern Shear Capacity = 1.715 Nm
 Where:
 Bolt Pattern Design Torque = 1/4 X Bolt Pattern Shear Capacity (Nm)

IFC 4700 HT coupling rating* Pressure work Nm 2100
 Intermediate Nm 1025
 Continuous Nm 1250

Moment of Inertia, I (cm ⁴)=	0.00336
Polar Mass Moment of Inertia, J (Nm ²)=	0.00336
Max. Torsional Stress (N/mm ²)=	67450

7/16 UNF Hex Bolt - AS 2468 Grade 8
 Bolt Pattern Design Torque = 9.572 Nm
 Bolt Pattern Shear Capacity = 2.143 Nm
 Where:
 Bolt Pattern Design Torque = 1/4 X Bolt Pattern Shear Capacity (Nm)

Note: Specifications subject to change without notice
 * See rating schedule



Drawing Notes:

Drawing: NOT TO SCALE
 Unless stated otherwise - dimensions are in millimeters (mm)

Copyright © 2014 Isoflex Technologies Pty Ltd

Drawing Number: IFC4700 GA Rev 3

Drawn: W Farmer

Date: 25 November 2014

