



IsoFlex Technologies Pty Ltd.

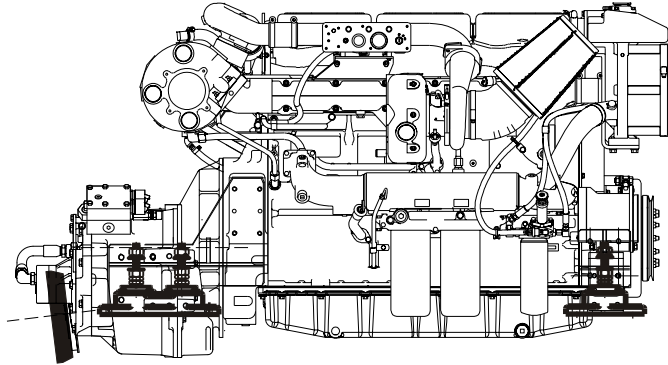
Unit 5, 7 Waterway Drive, Gold Coast Marine Precinct, Coomera, Queensland, Australia. 4209

P: 1300 366 393 P: 07 555 60 924 F: 07 555 60 984 Int prefix: 617

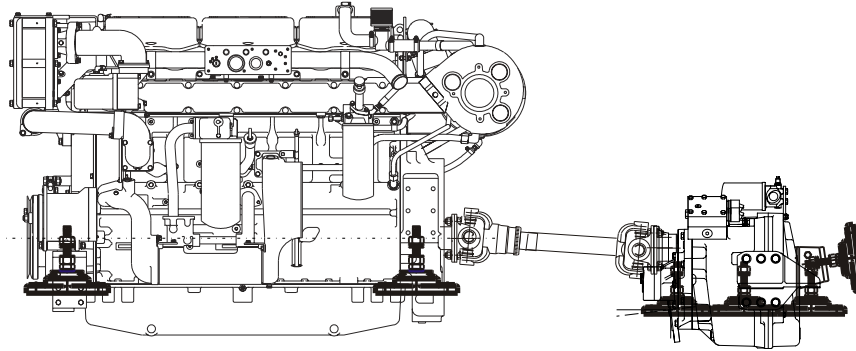
info@isoflex.com.au

www.isoflex.com.au

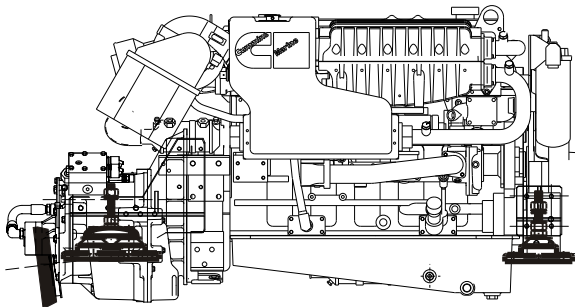
APPLICATION: Caterpillar C18 engine [1,015 hp] & Twin Disc MGX-5135A gearbox shown with:
IsoFlex Engine Mounts: 2x MD125-24DS(70)[rear] + 2x M125-24S(80)[front]
& IsoFlex Coupling: IFC8200(95)



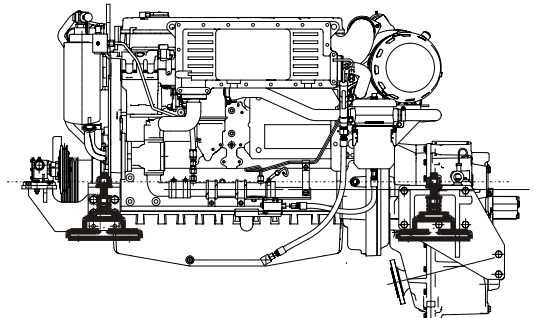
APPLICATION: Caterpillar C15 engine [811 hp] & Twin Disc MGX-5114RV [1.92:1] gearbox shown with:
IsoFlex Engine Mounts: 4x M130-24S(70)
& IsoFlex Remote mounted Vee Drive mounts: 6x M130RV-24S(70) + 2x M130RV-24(80) thrust mounts



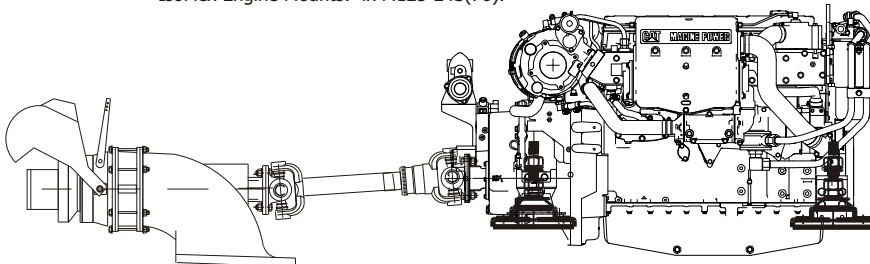
APPLICATION: Cummins 6QSM11 engine [660 hp] & Twin Disc MGX-5114A gearbox shown with:
IsoFlex Engine Mounts: 2x MD100-24S(70) + 2x M100-24S(70)
& IsoFlex Coupling: IFC8200(95)



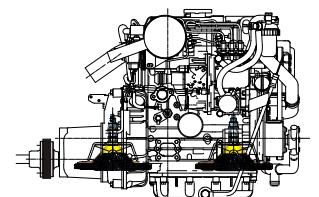
APPLICATION: CAT C9 Engine & ZF 325IV Gearbox shown with:
IsoFlex Engine Mounts: 4x M125-24S(70).



APPLICATION: CAT C9 Engine & Twin Disc 5082-SC Gearbox & Hamilton Jet shown with:
IsoFlex Engine Mounts: 4x M125-24S(70).



APPLICATION: Yanmar 3YM30 diesel engine & gearbox shown with:
IsoFlex Engine Mounts: 4x MY30-16S(50)
& IsoFlex Coupling: IFC 4200(90)



Copyright © 2006

IsoFlex Technologies Pty Ltd.



Drawing number: Application-Example-Compilation

Drawn: PB

Date: 28-6-06